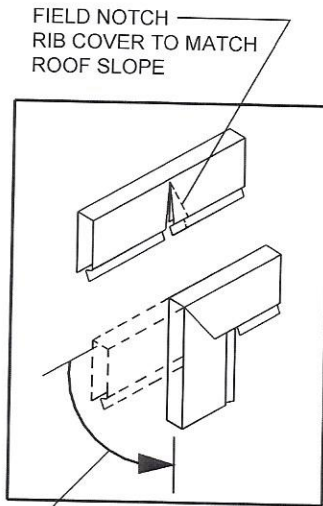


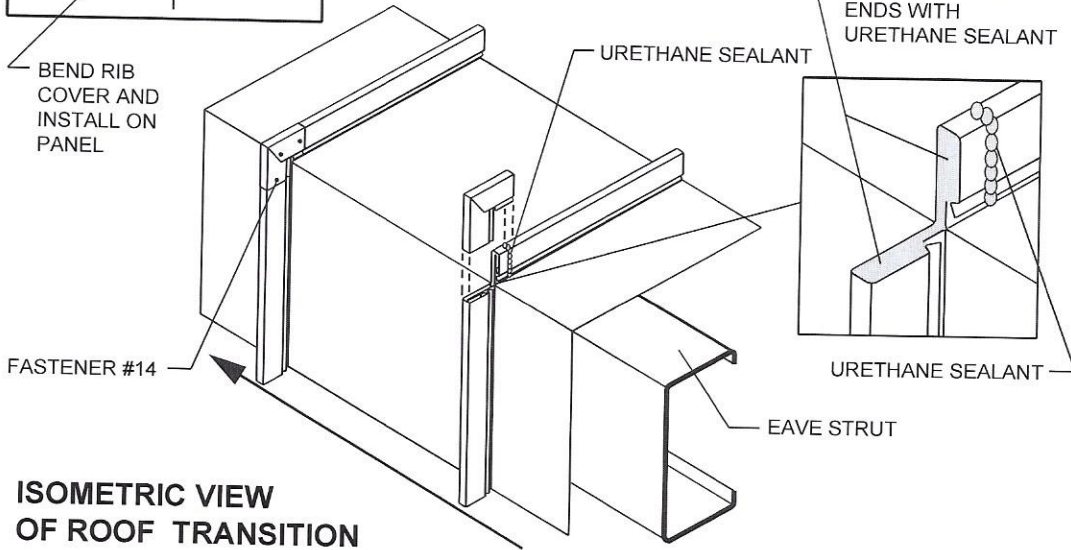
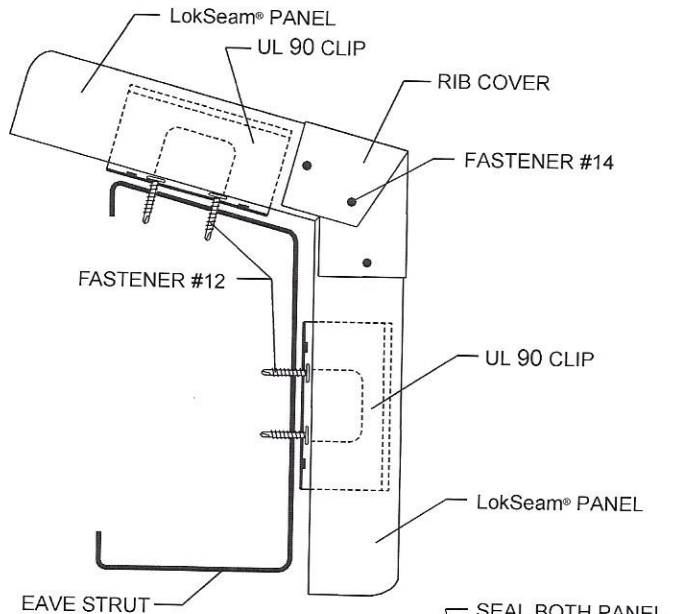
DETAILS

ROOF TRANSITION OVER PURLINS

CROSS SECTION OF ROOF TRANSITION



BEND RIB
COVER AND
INSTALL ON
PANEL



ISOMETRIC VIEW OF ROOF TRANSITION

INSTALLATION DIRECTION

NOTES:

1. Do not use this detail with the fixed ridge or hip details.
2. Field cut legs of panels and bend to required angle.
3. Fill both exposed ends of panel with urethane sealant.
4. Field notch rib cover to allow it to bend to the proper angle.
5. Field apply a bead of urethane sealant over rib before applying rib cover.
6. **Do not use this detail inside the building envelope.**