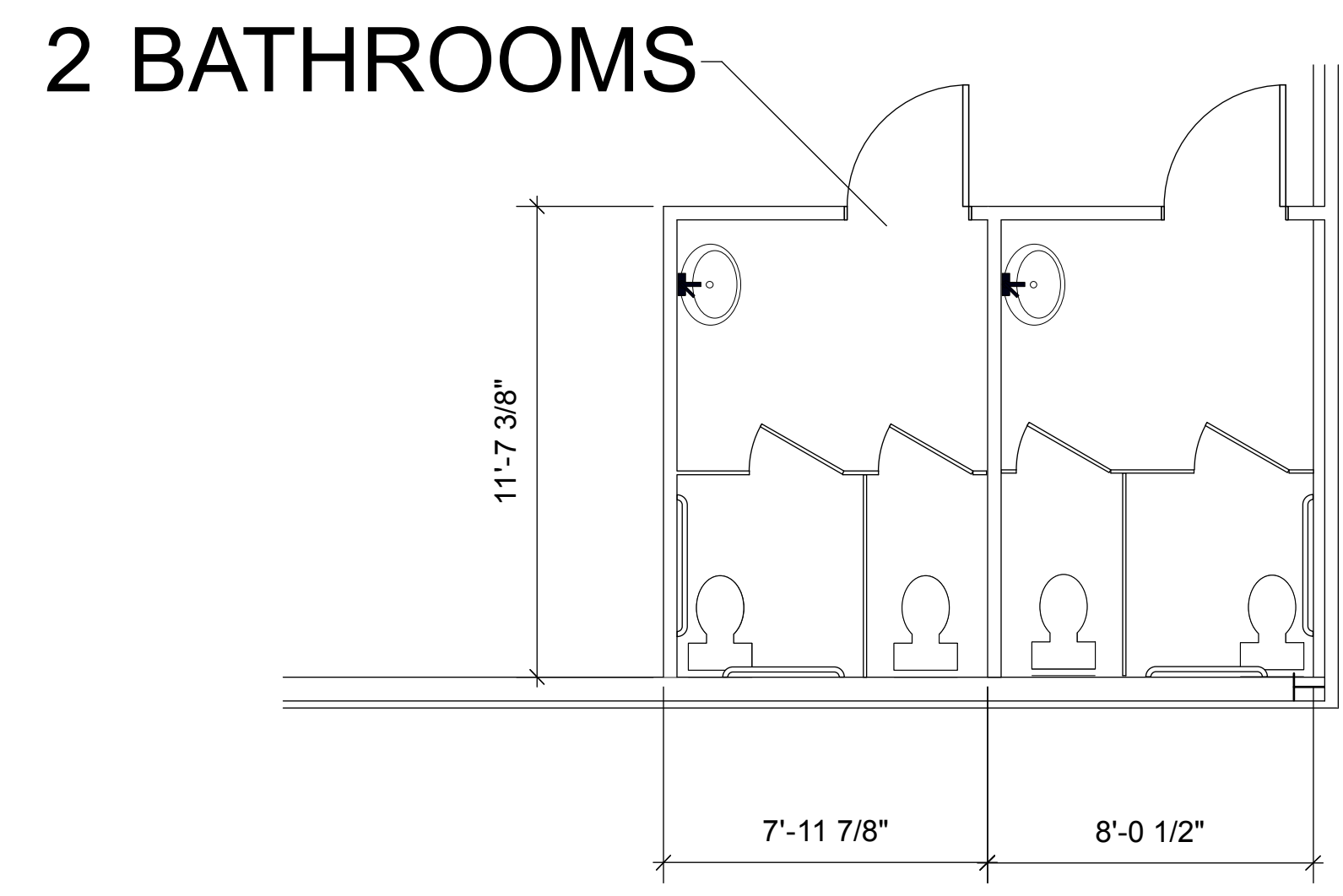
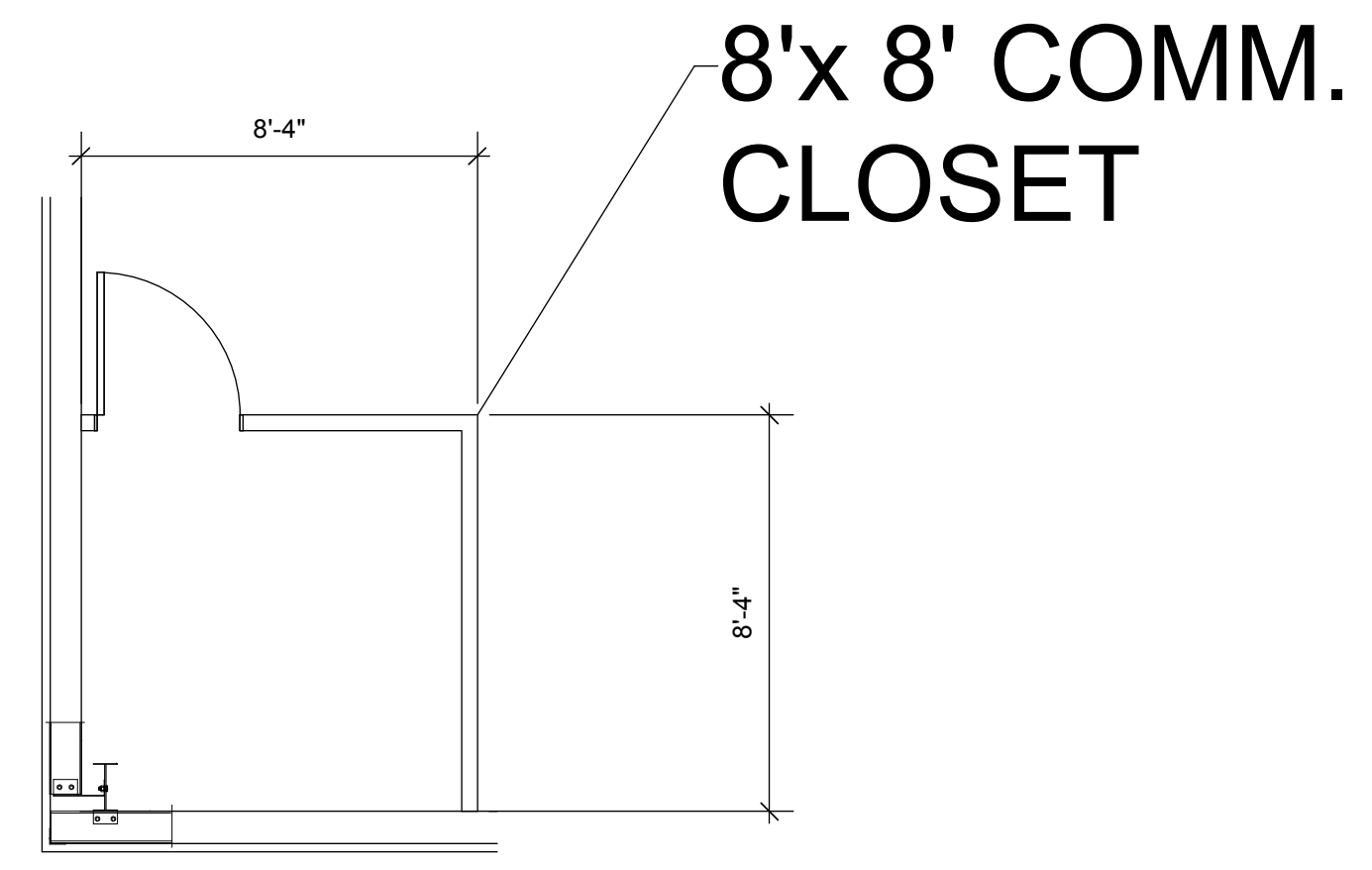
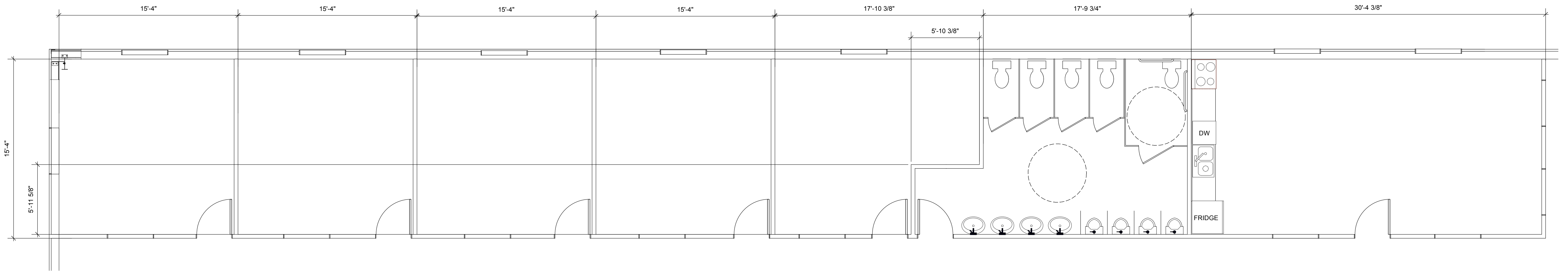


1 2 3 4 5 6 7 8 9 10 11 12 13 14 15

M
L
K
J
H
G
F
E
D
C
B
A

OFFICES, BATHROOM, BREAKROOM



Scale: 1/4" = 1'-0"
MAIN OFFICE AREA, RESTROOMS, & COMM. CLOSET

No.	Date	Revisions / Submissions
Design Firm Zachary F. Mobley, Architect 501 Dry Kiln Rd. MAILING ADDRESS: P. O. Box 2849 Batesville, Arkansas 72503		
Consultant		
Project Title TSC NEW FACILITY Bad Boy, Inc.		
Project Manager Zack Mobley		Project ID 2014-1
Drawn By		Scale
Reviewed By		Drawing No.
Date		_____ of _____ Total Sheets
CAD File Name		

1 2 3 4 5 6 7 8 9 10 11 12 13 14 15