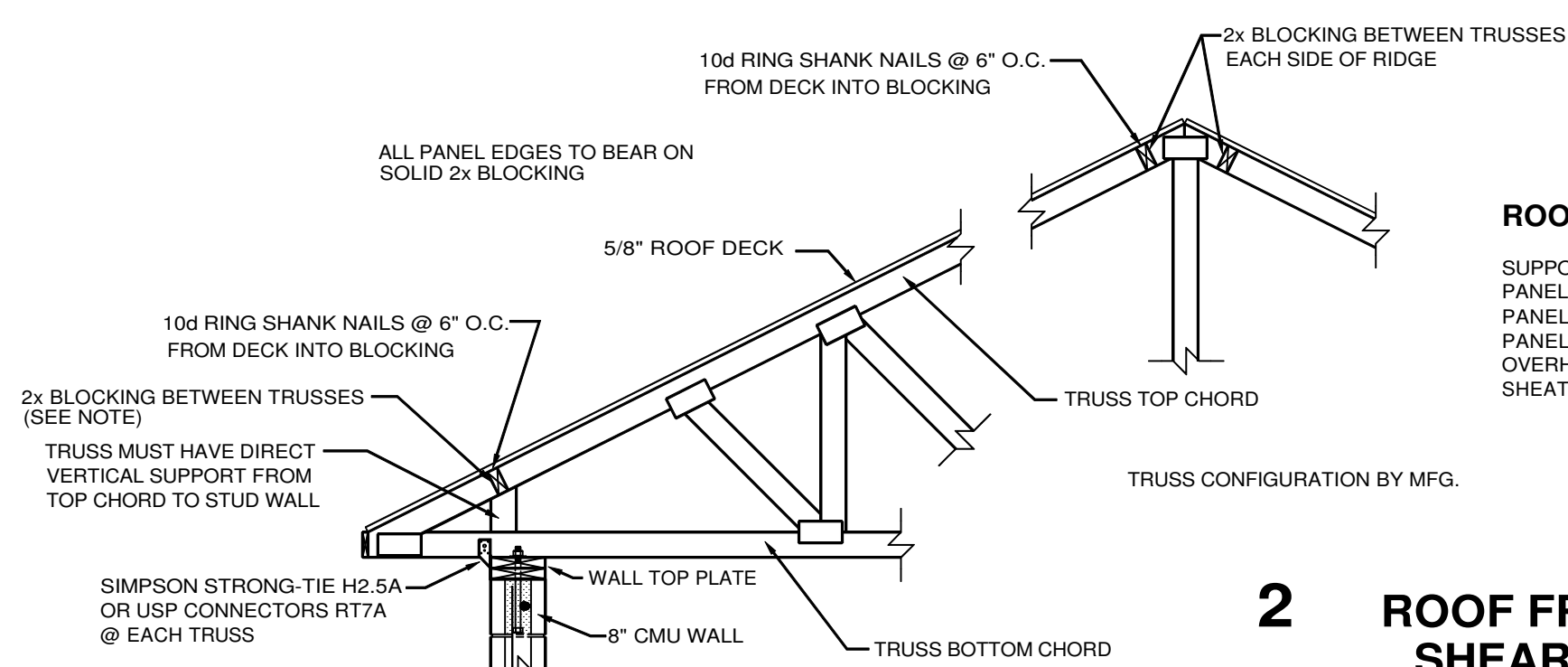


**1 DETAIL OF ROOF DECKING**



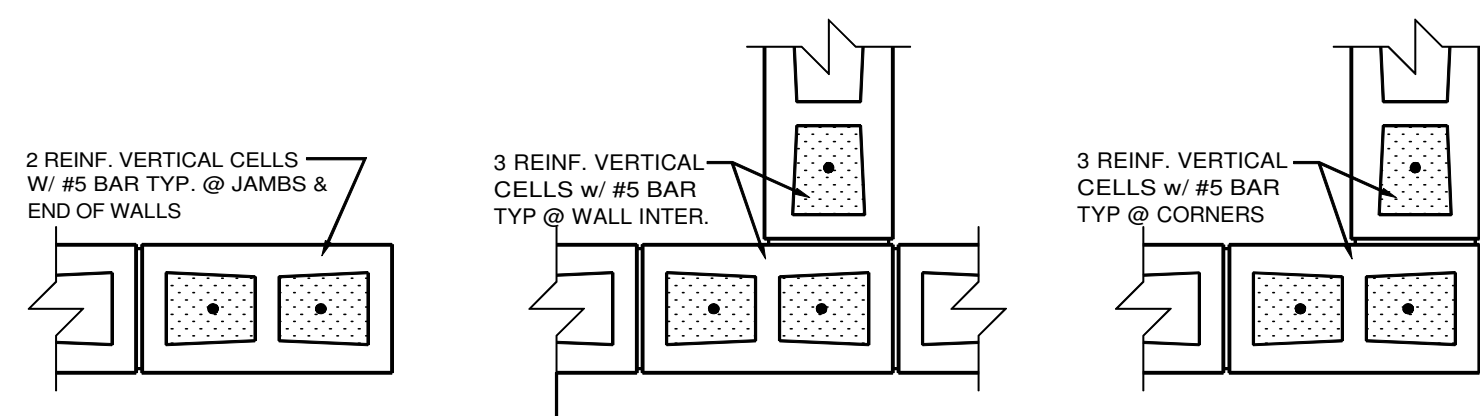
**2 ROOF FRAMING, SHEATHING & SHEAR TRANSFER ELEMENT**  
SCALE 1/2"=1'

**ROOF SHEATHING FASTENING SCHEDULE**

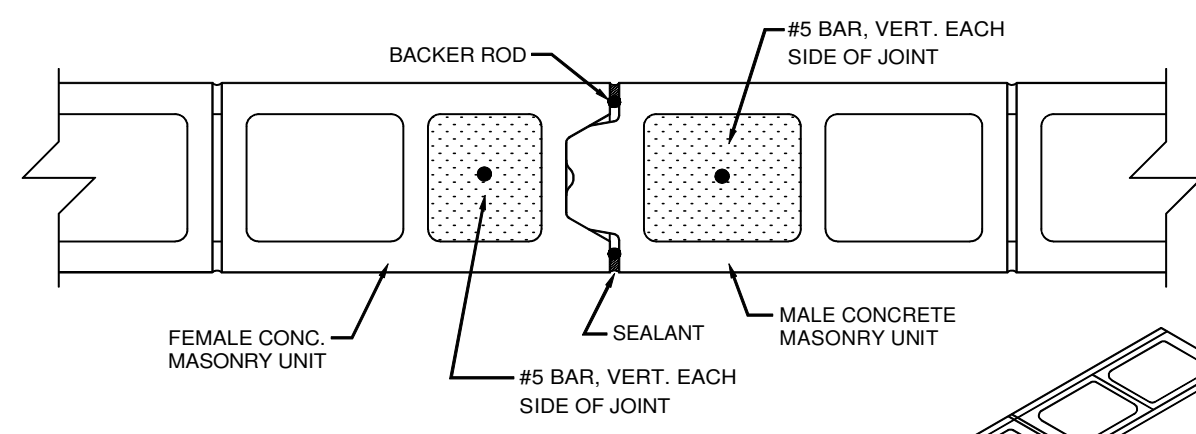
SUPPORTED PANEL ENDS & EDGES	4" O.C.
PANEL FIELD	6" O.C.
PANEL FIELD WITHIN 4' OF RIDGE	4" O.C.
PANEL FIELD WITHIN 6' OF EAVE OVERHANGS (EAVES)	4" O.C.
SHEATHING TO GABLE ENDWALL	3" O.C.
	3" O.C.

ALL NAILS TO BE 10d RING SHANK

NOTE: SOLID 2x BLOCKING BETWEEN TRUSSES @ EXTERIOR WALL MUST EXTEND FROM ROOF DECKING DOWN TO TOP PLATE. CONNECT BLOCKING TO TOP PLATE WITH SIMPSON STRONG-TIE RBC ROOF BOUNDARY CLIPS @ 12" O.C. EVERY THIRD BAY. SUBSTITUTE w/ 2x4 BLOCKING, INSTALLED AGAINST DECK (FLATWISE), TO FACILITATE PROPER VENTILATION.

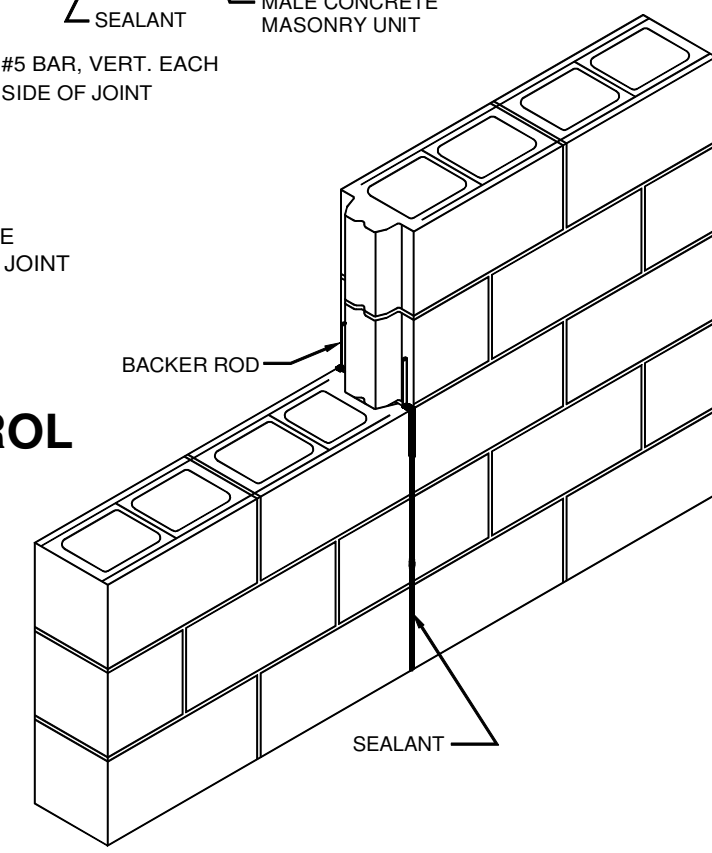


**4 TYPICAL 8" MASONRY WALLS**

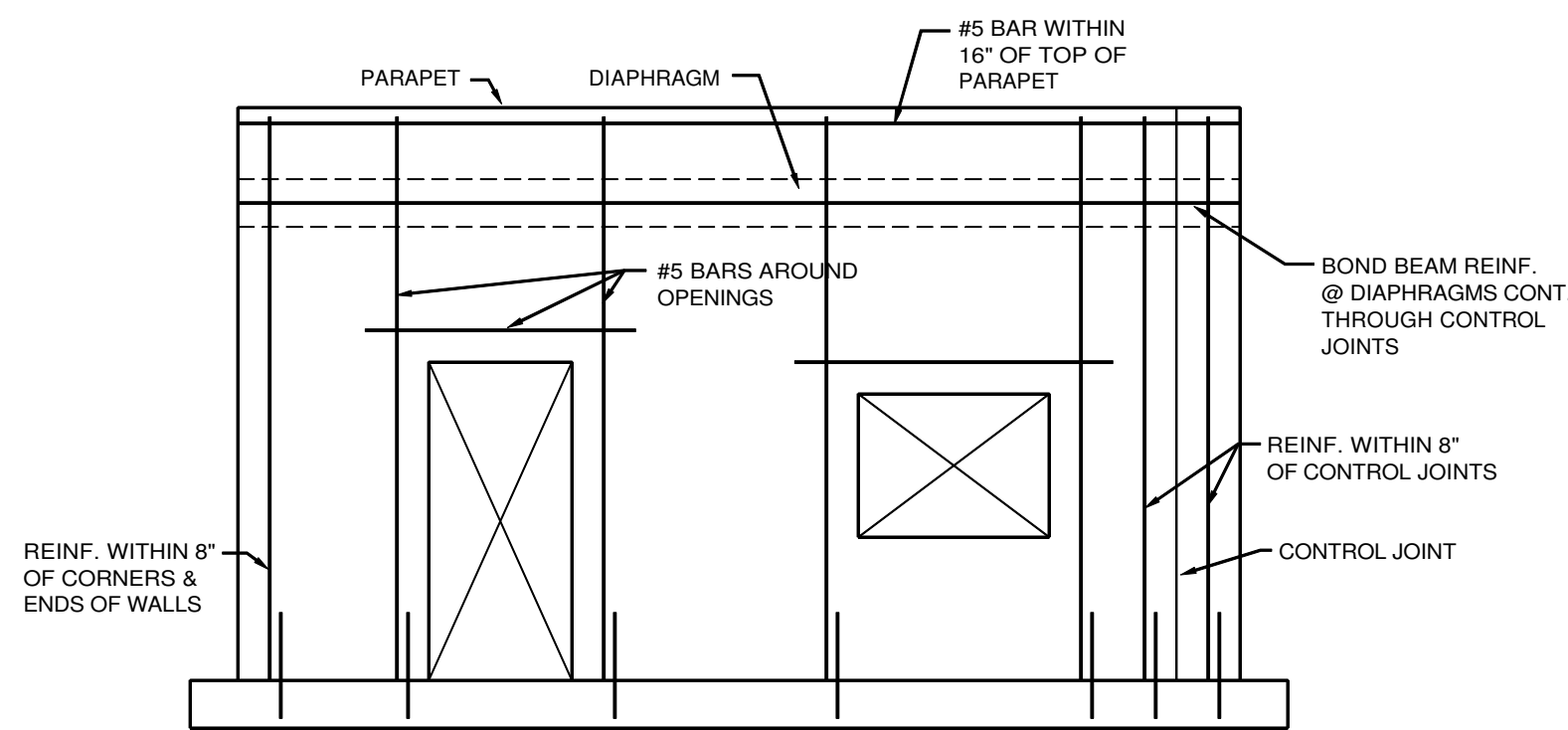


**3 MASONRY CONTROL JOINT DETAIL**

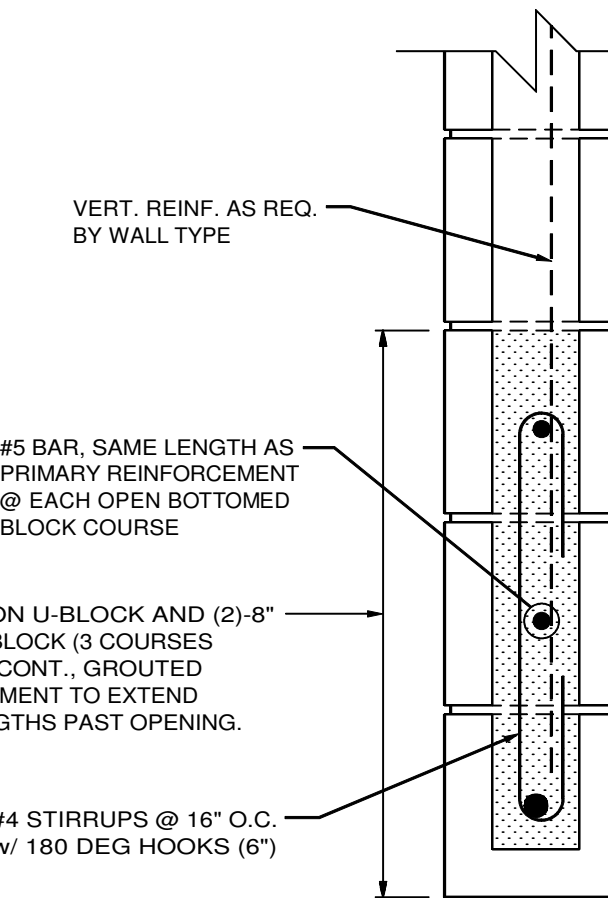
NOTE: TOP COURSE BOND BEAM MUST BE CONTINUOUS THROUGH CONTROL JOINT



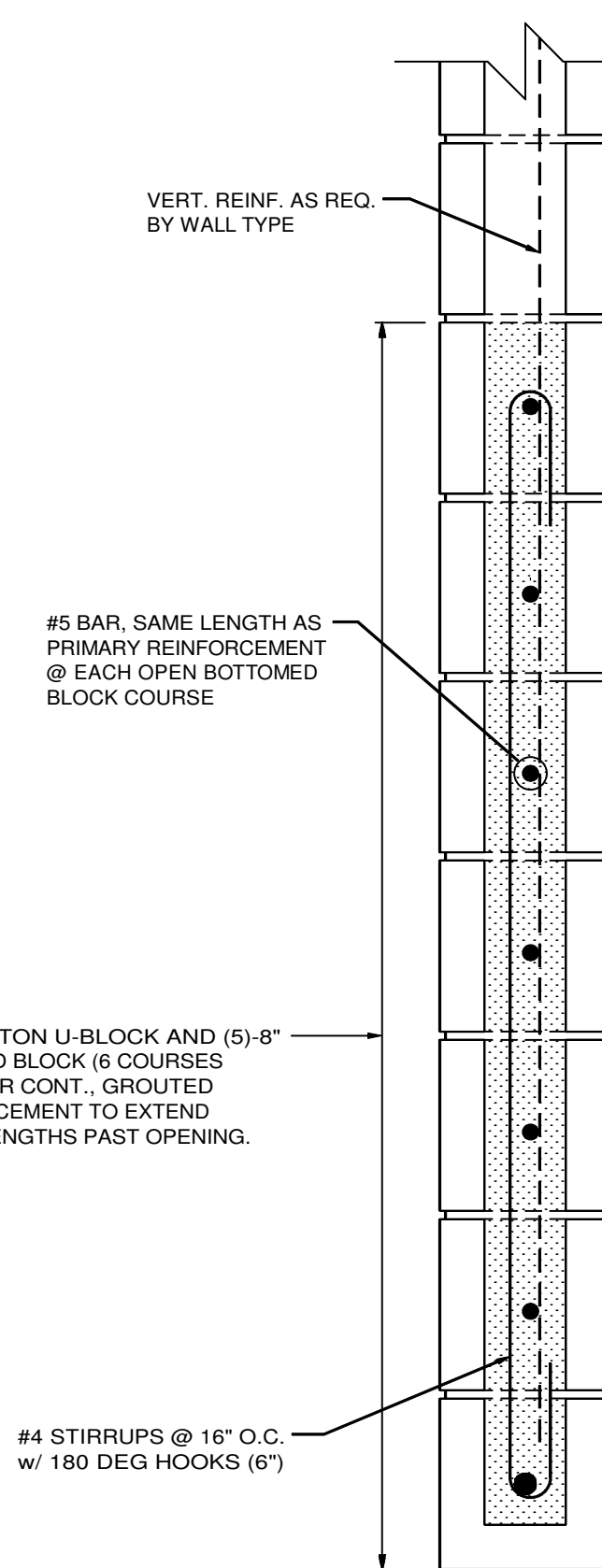
**6 CMU REINFORCEMENT REQUIRED LOCATIONS**



**5 CMU LINTEL (L1)**  
SCALE 1-1/2"=1'

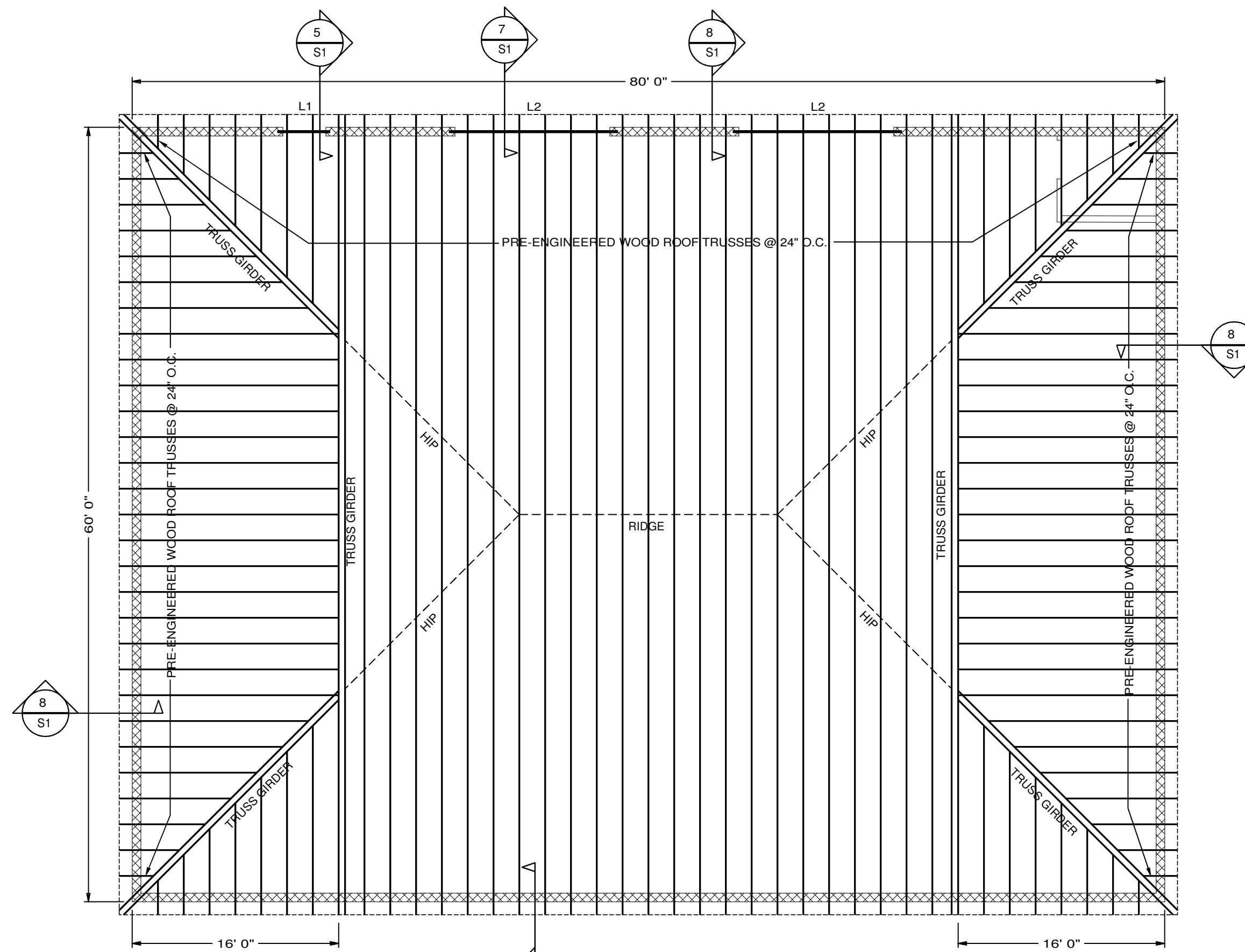


**7 CMU LINTEL (L2)**  
SCALE 1-1/2"=1'



**FRAMING PLAN**

SCALE 1/8"=1'



**SHEATHING SCHEDULE & LATERAL TIES**

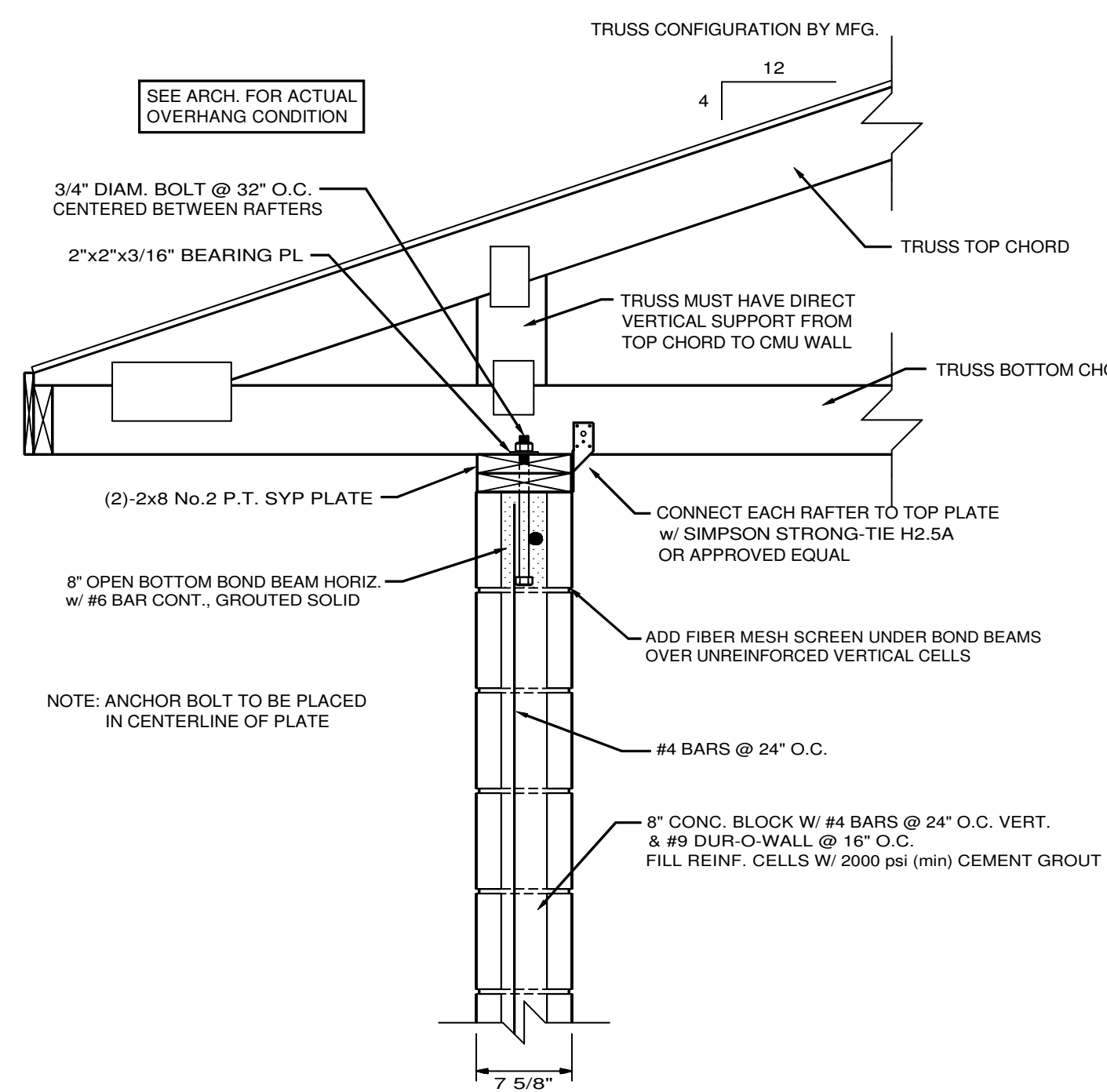
**RAFTER TIES**  
SIMPSON STRONG-TIE H2.5A OR USP CONNECTORS RT7A @ EACH TRUSS

**ROOF DECKING SCHEDULE**

**DECKING**  
5/8" O.S.B. RATED DECKING  
EDGE NAILS = 10d (3"x0.148") @ 4" O.C.  
FIELD NAILS = 10d (3"x0.148") @ 6" O.C.  
PROVIDE BLOCKING @ ALL PANEL EDGES

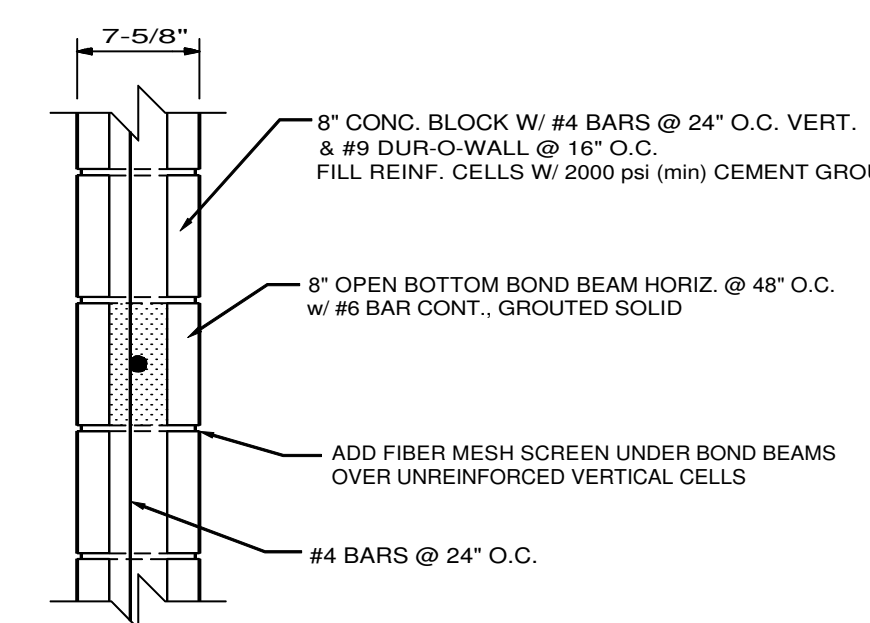
**ROOF TRUSS DESIGN LOADING**

Top Chord Live Load = 20 psf  
Top Chord Dead Load = 15 psf  
Bottom Chord Live Load = 20 psf  
Bottom Chord Dead Load = 10 psf

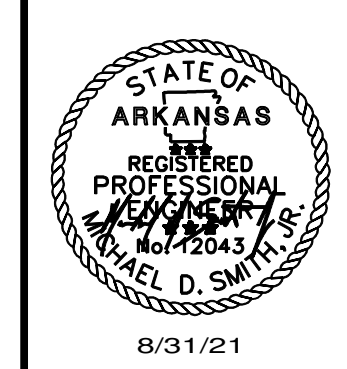


**8 TRUSS/CMU WALL CONNECTION**

SCALE 1"=1'



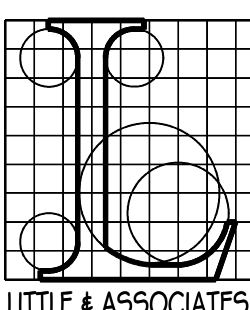
**9 CMU WALL SECTION**  
SCALE 1"=1'



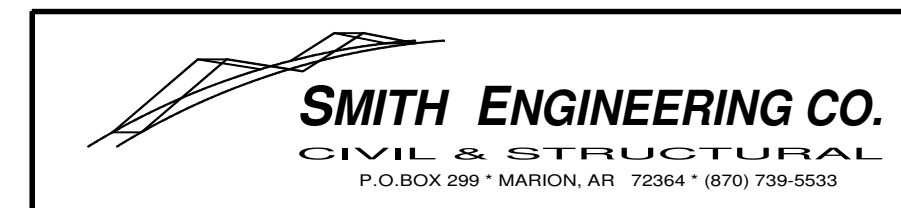
FRAMING PLAN # DETAILS

NEW SHOP FACILITY:  
**JONESBORO COUNTRY CLUB**  
1408 E. NETTLETON  
JONESBORO, ARKANSAS 72401

COMM. NO.: 91421  
DATE: 08/31/2021  
FILE:  
PLOT:



501 UNION  
JONESBORO, AR  
(870) 930-3813 TEL  
(870) 930-3820 FAX  
litt@azarchi.com



S2