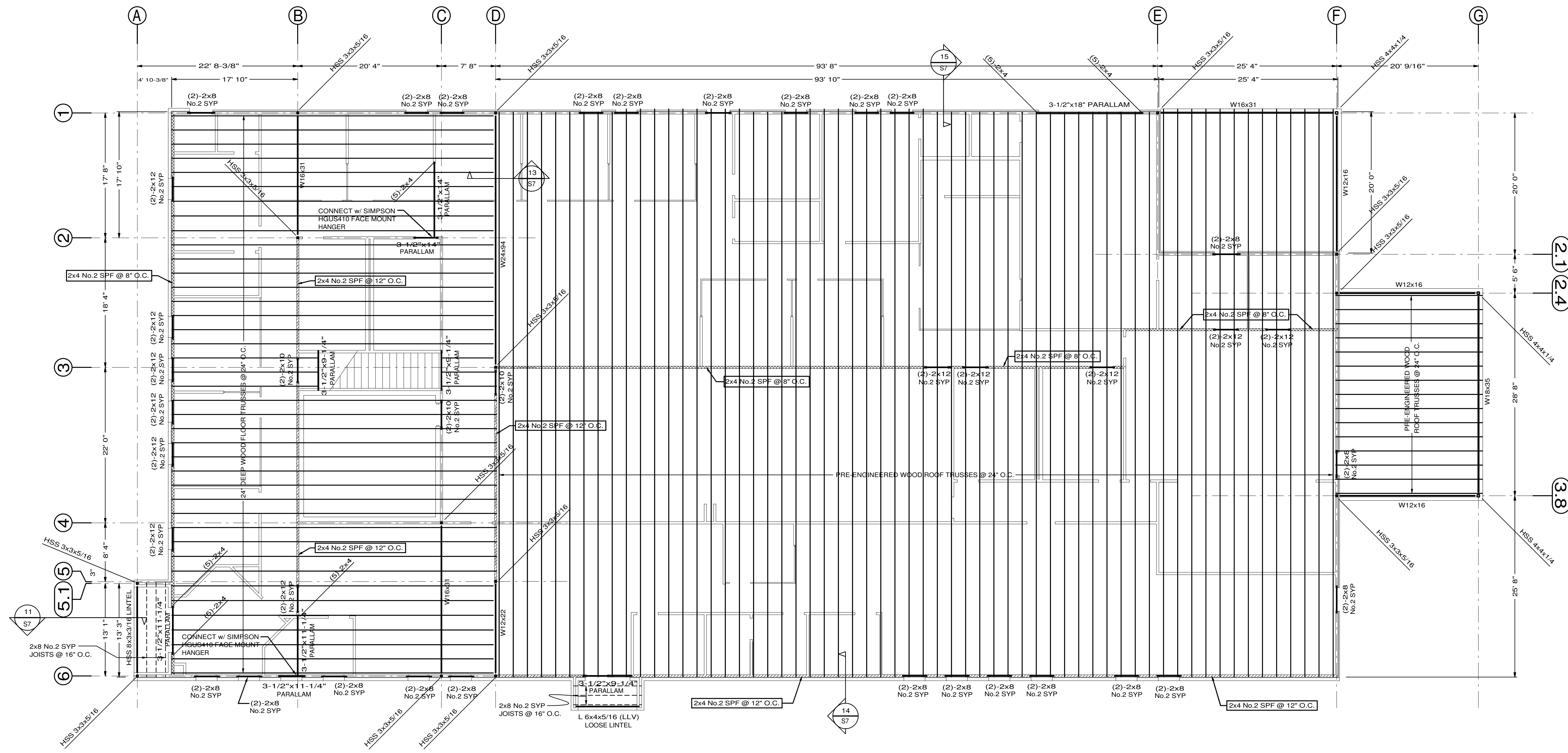




12/7/21



FRAMING PLAN
SCALE 1/8"=1'

WALL FRAMING SCHEDULE

EXTERIOR
2x4 SPF No.2 @ 16" O.C. U.N.O.
FULLY SHEATHED w/ BLOCKING
@ 1/3 POINTS

INTERIOR LOAD BEARING
2x4 SPF No.2. SEE PLAN FOR SPACING
@ 16" O.C. IF NOT NOTED, w/ BLOCKING
@ 1/3 POINTS

ROOF DECKING SCHEDULE

DECKING
5/8" O.S.B. RATED DECKING
EDGE NAILS = 10d (3"x0.148") @ 4" O.C.
FIELD NAILS = 10d (3"x0.148") @ 12" O.C.
PROVIDE BLOCKING @ ALL PANEL EDGES

RAFTER TIES

(2)-SIMPSON STRONG TIE H2.5A
OR (2) USP CONNECTORS RT7A
@ EACH RAFTER TRUSS

FLOOR TRUSS DESIGN LOADING

Top Chord Live Load = 50 psf
Top Chord Dead Load = 15 psf
Bottom Chord Live Load = 0 psf
Bottom Chord Dead Load = 10 psf

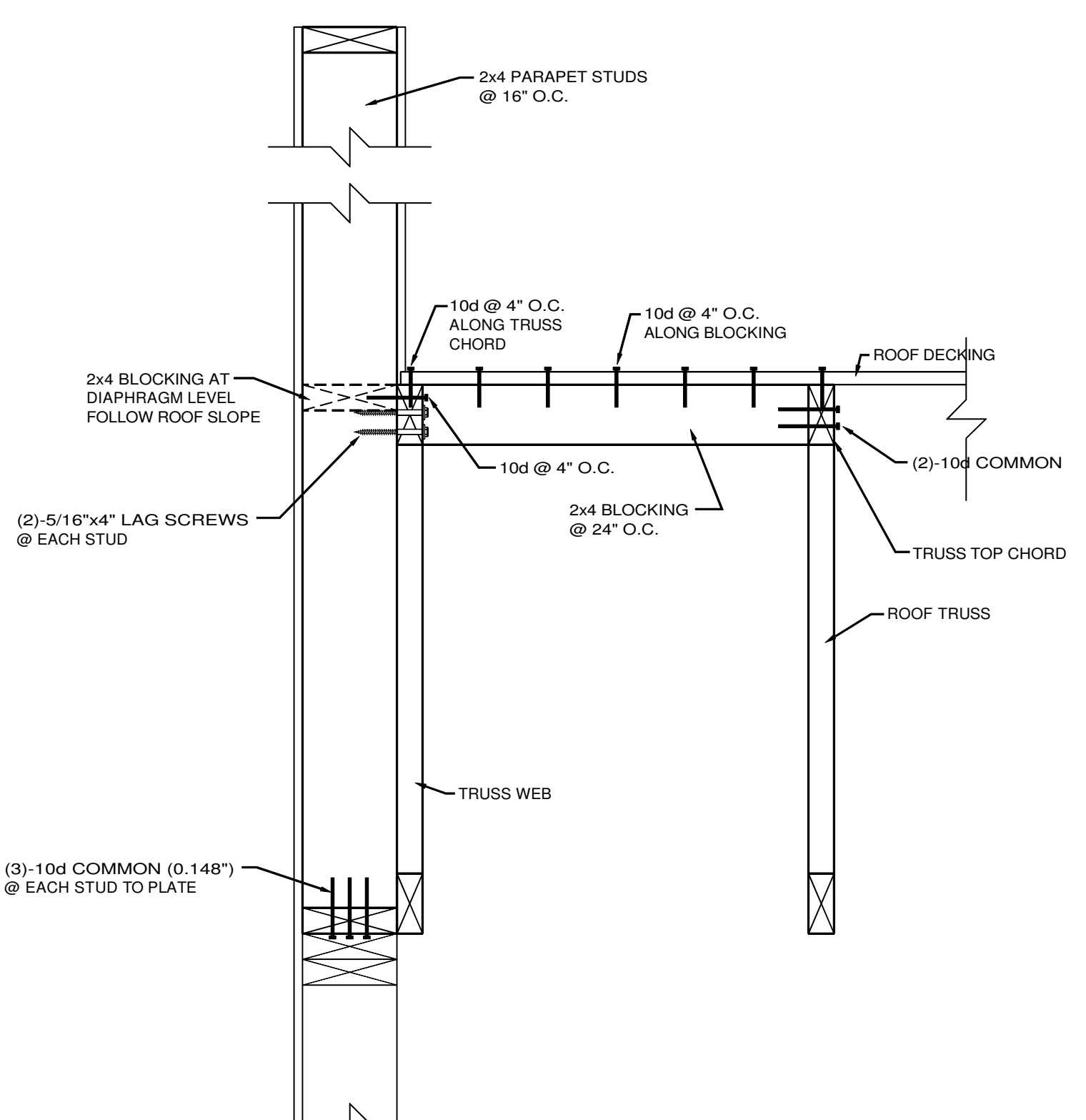
ROOF TRUSS DESIGN GRAVITY LOADING

Top Chord Live Load = 20 psf
Top Chord Dead Load = 15 psf
Bottom Chord Live Load = 10 psf
Bottom Chord Dead Load = 10 psf

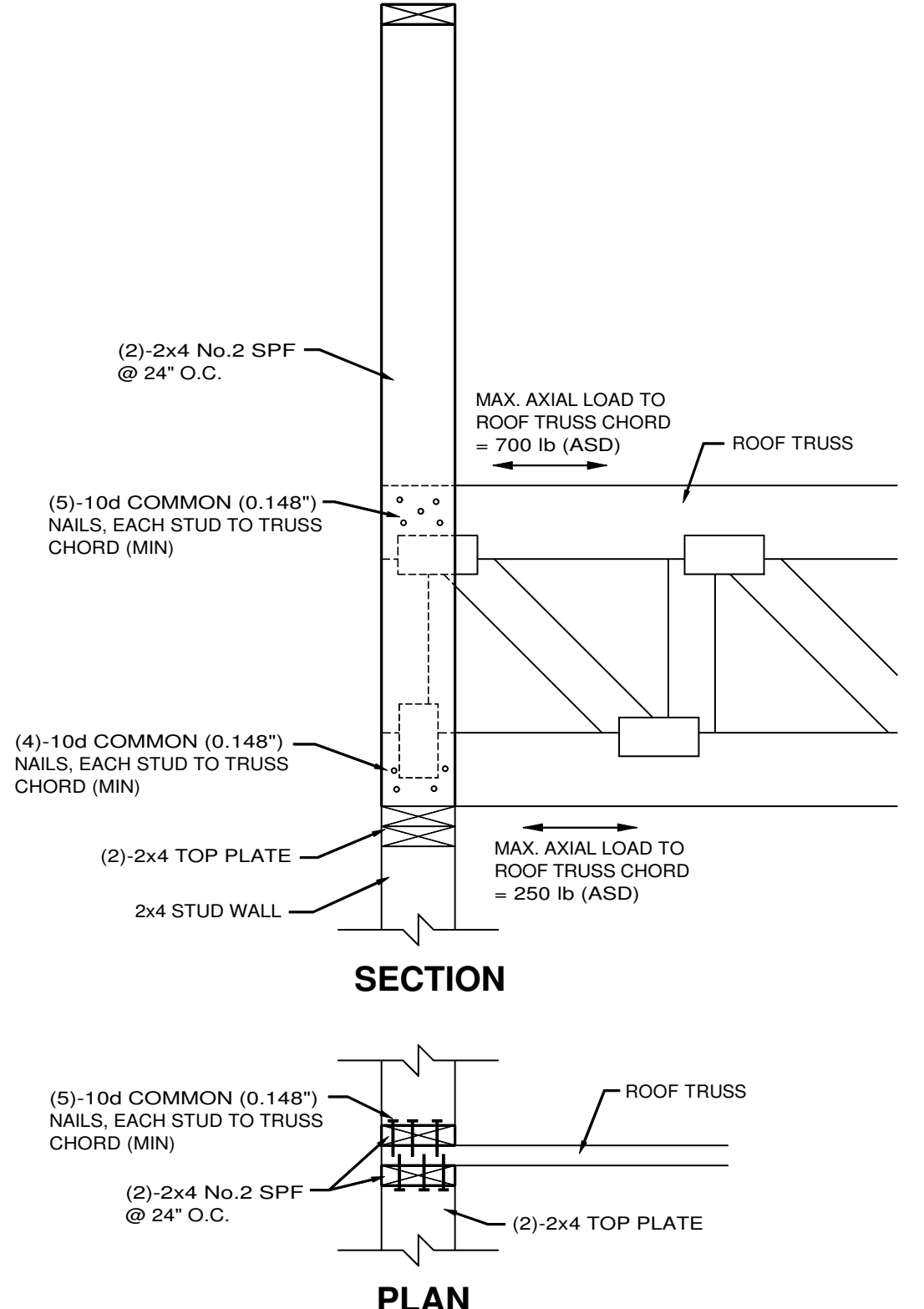
FRAMING PLAN

NEW FACILITY FOR:
TIGER COMMISSARY
JONESBORO, AR

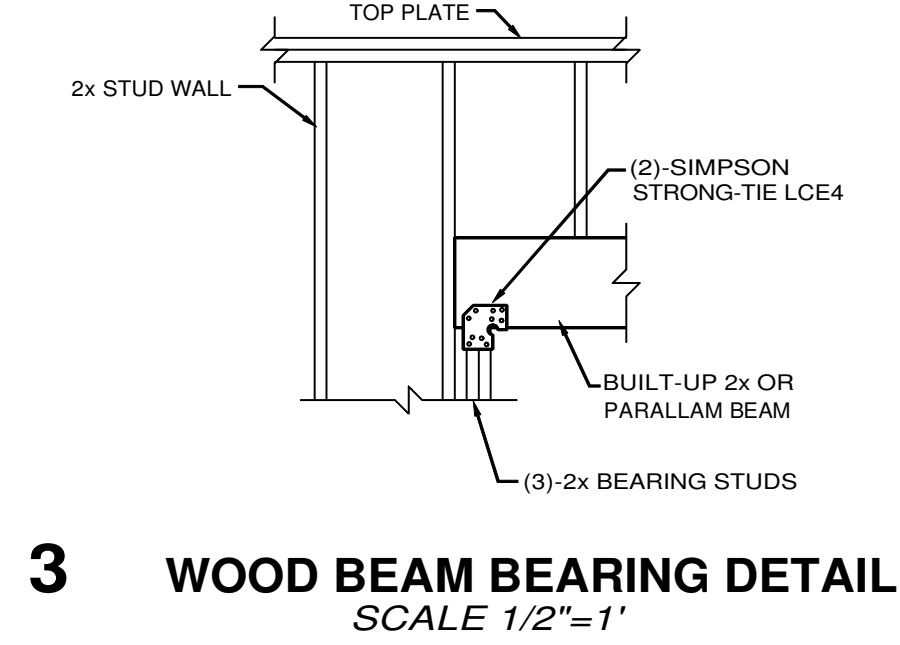
COMM. NO.:
DATE: 12/06/2021
FILE:
PLOT:



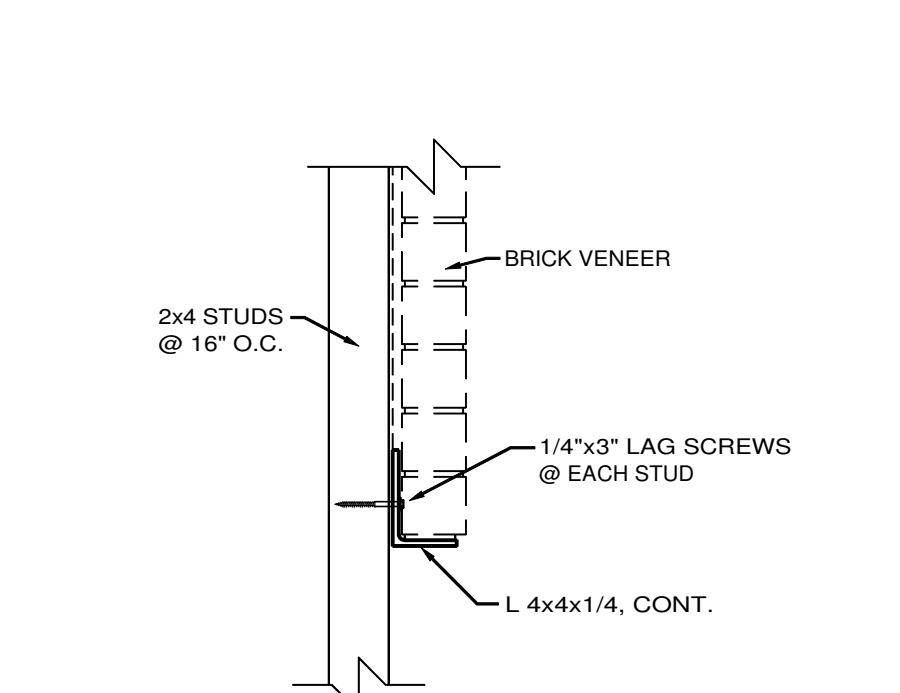
1 SIDE WALL PARAPET FRAMING
SCALE 1-1/2"=1'



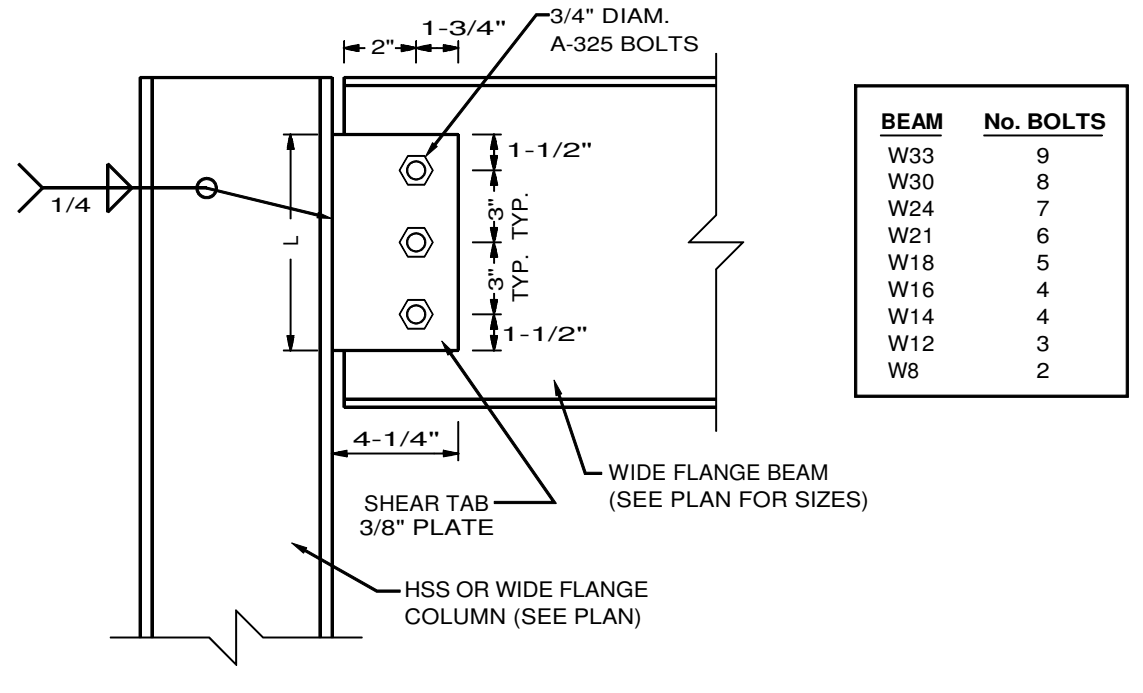
2 PARAPET FRAMING AT TRUSS BEARING
SCALE 1"=1'



3 WOOD BEAM BEARING DETAIL
SCALE 1/2"=1'

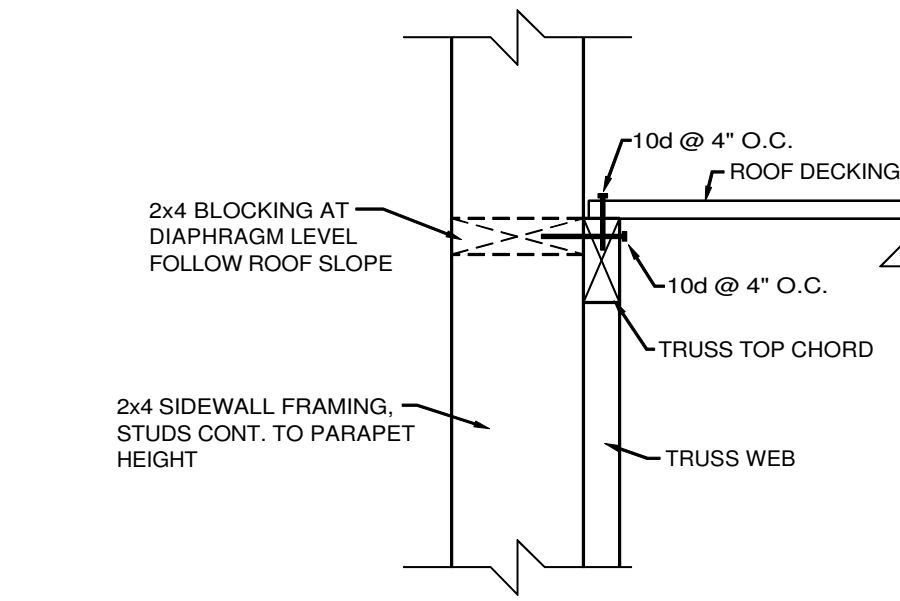


4 BRICK LINTEL AT HIGH BAND
SCALE 1"=1'

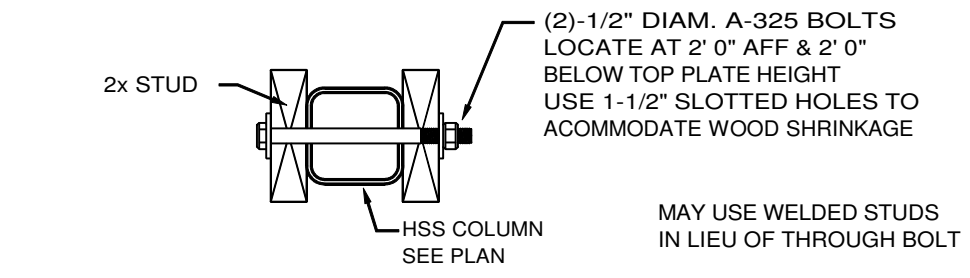


5 BEAM-COLUMN CONNECTION
SCALE 1-1/2"=1'

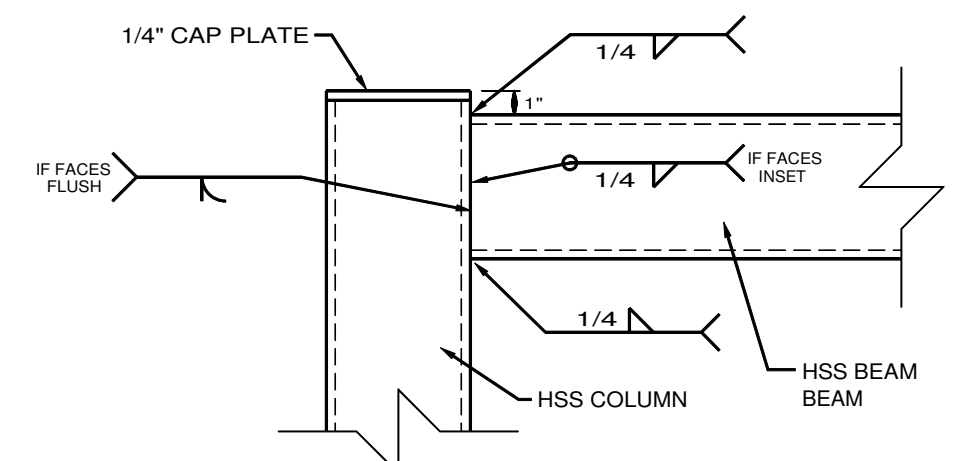
BEAM	No. BOLTS
W33	9
W30	8
W24	7
W18	5
W16	4
W14	4
W12	3
W8	2



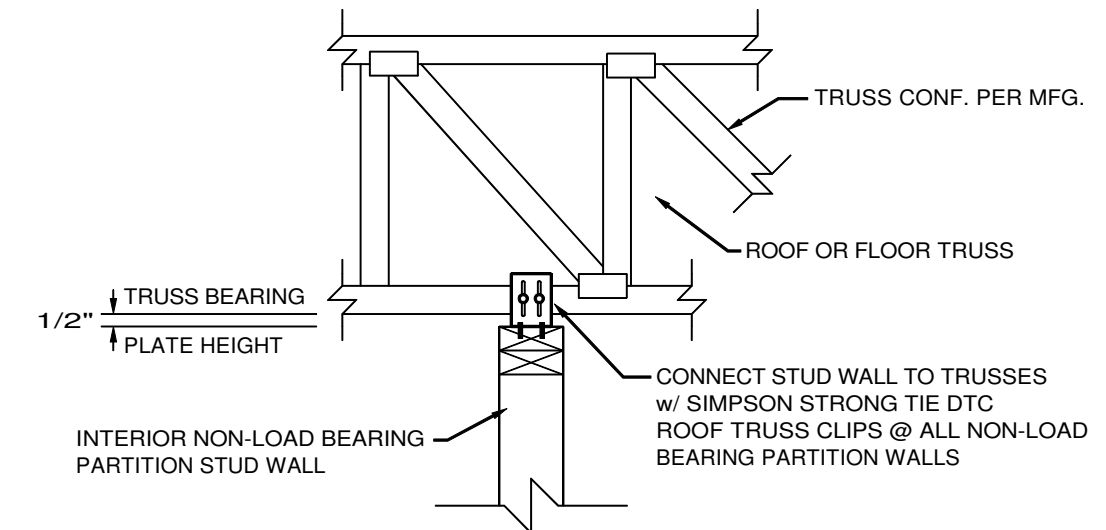
6 DIAPHRAGM ANCHORAGE AT SIDE WALLS
SCALE 1-1/2"=1'



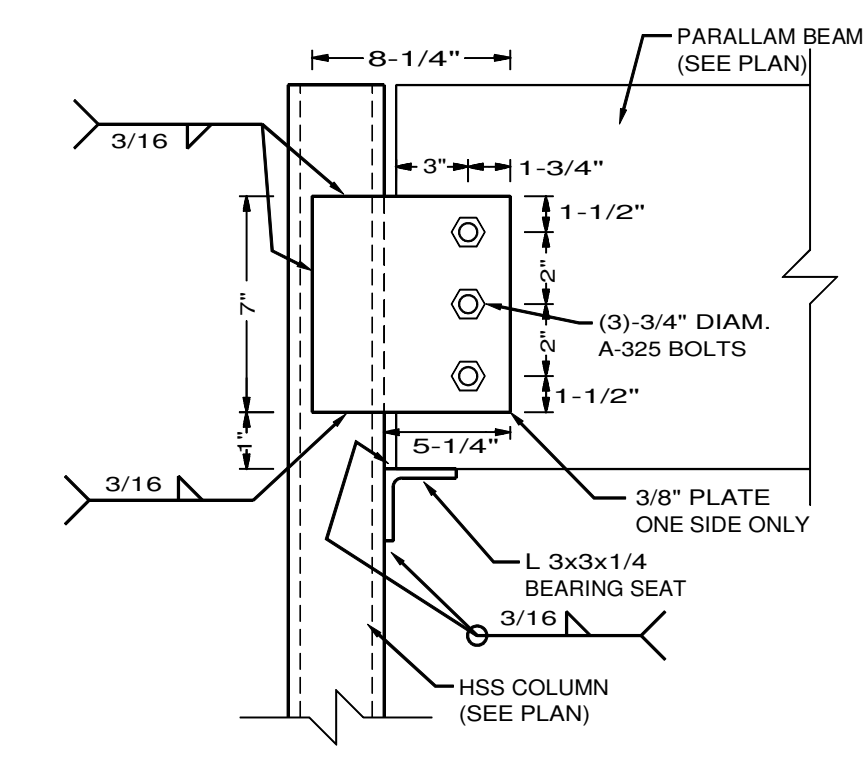
7 STUD WALL/HSS COLUMN CONNECTION DETAIL
SCALE 1-1/2"=1'



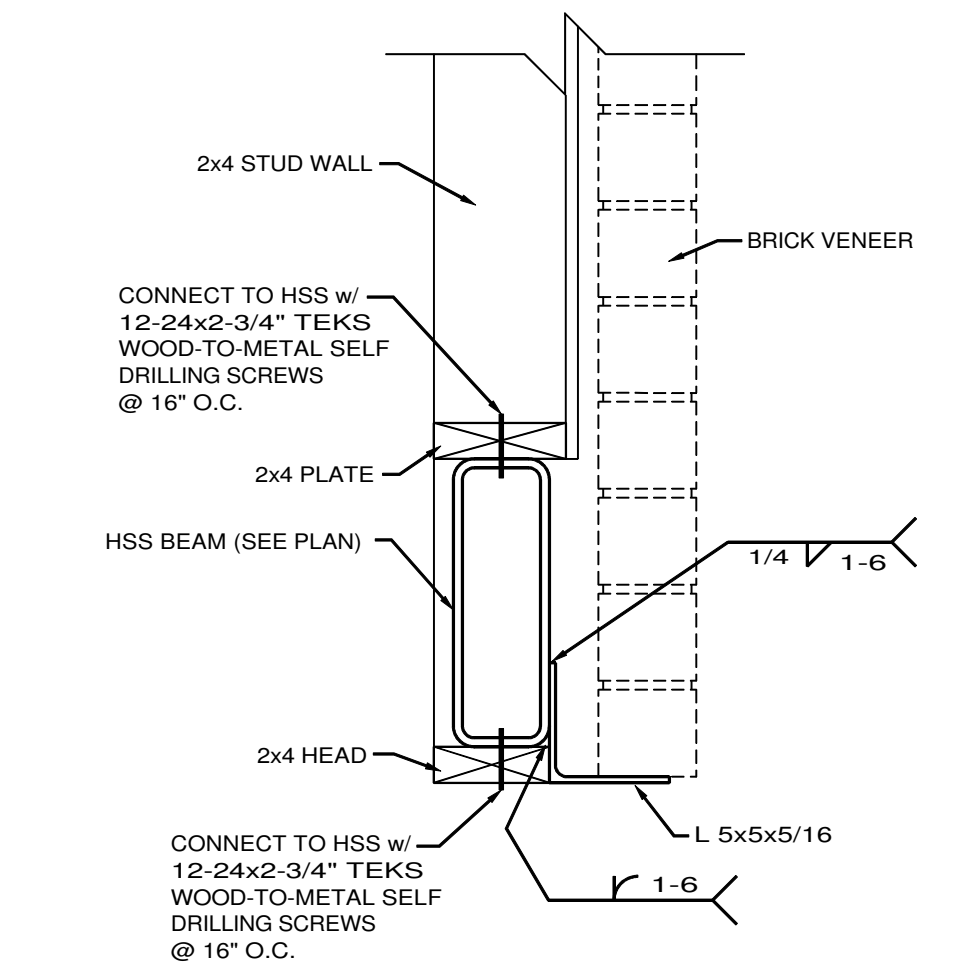
8 BEAM-COLUMN CONNECTION
SCALE 1-1/2"=1'



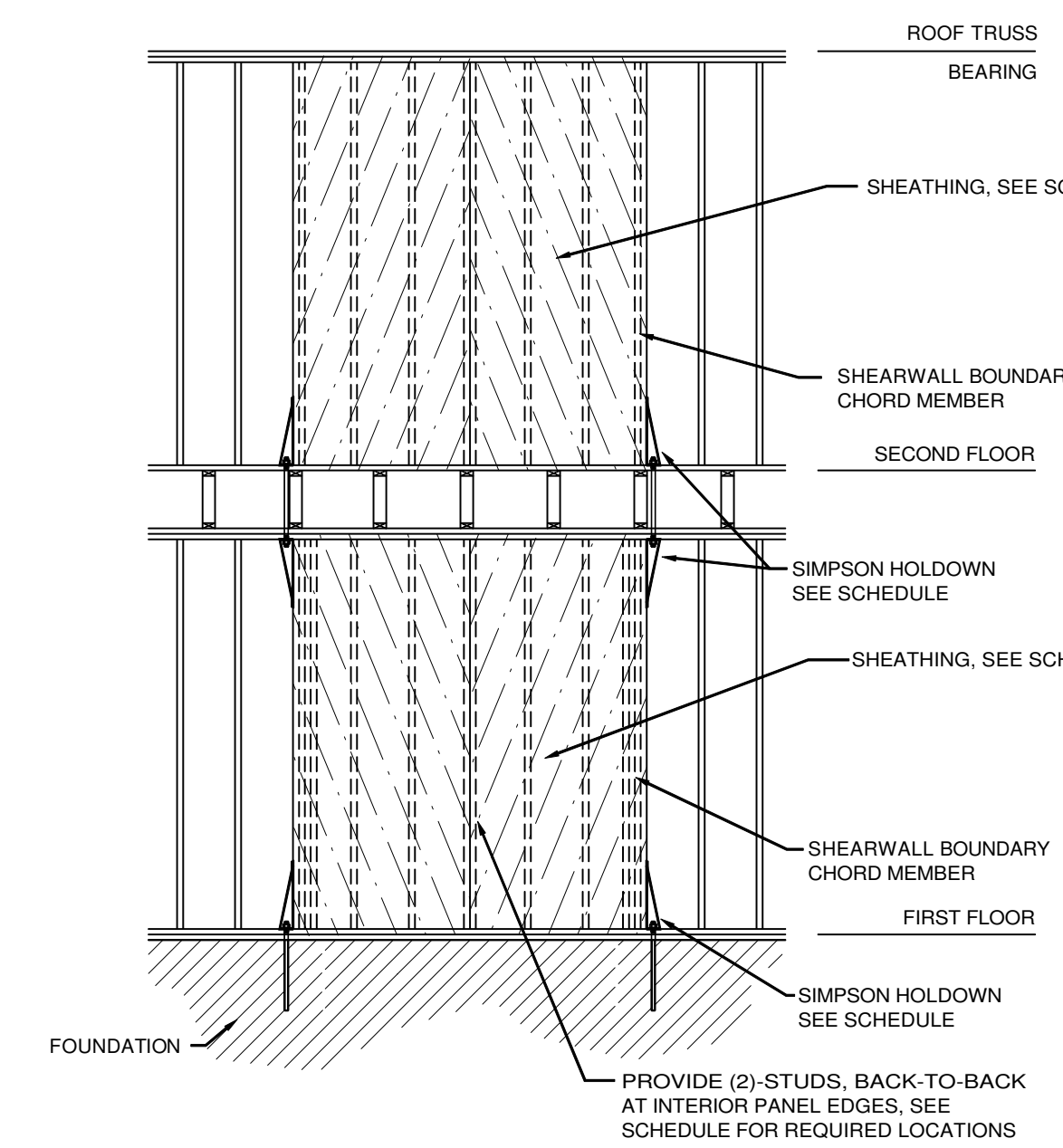
9 PARTITION WALL TO TRUSS CONNECTION
SCALE 1"=1'



10 LVL/STEEL COLUMN CONNECTION
SCALE 1-1/2"=1'

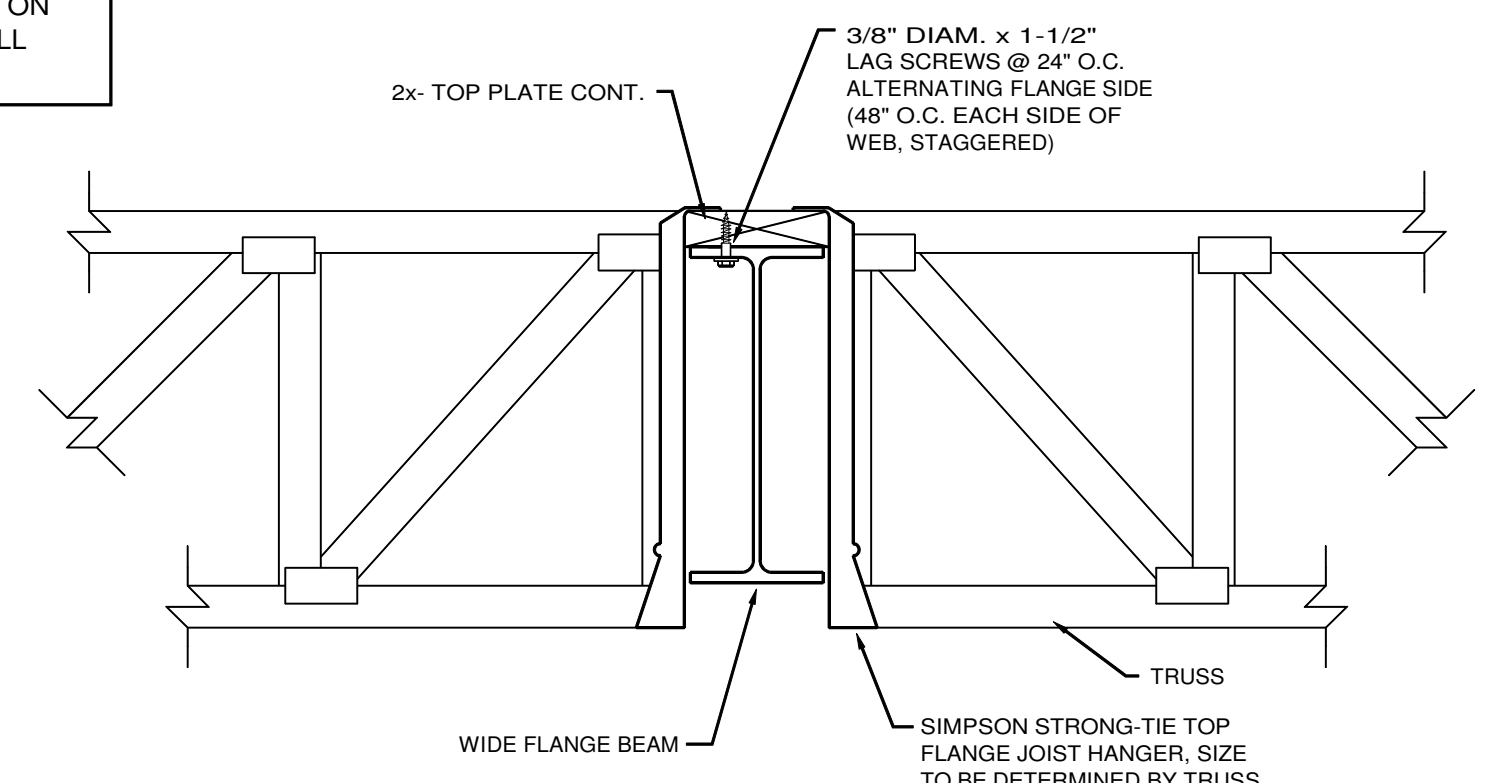


11 HSS LINTEL SECTION
SCALE 1-1/2"=1'

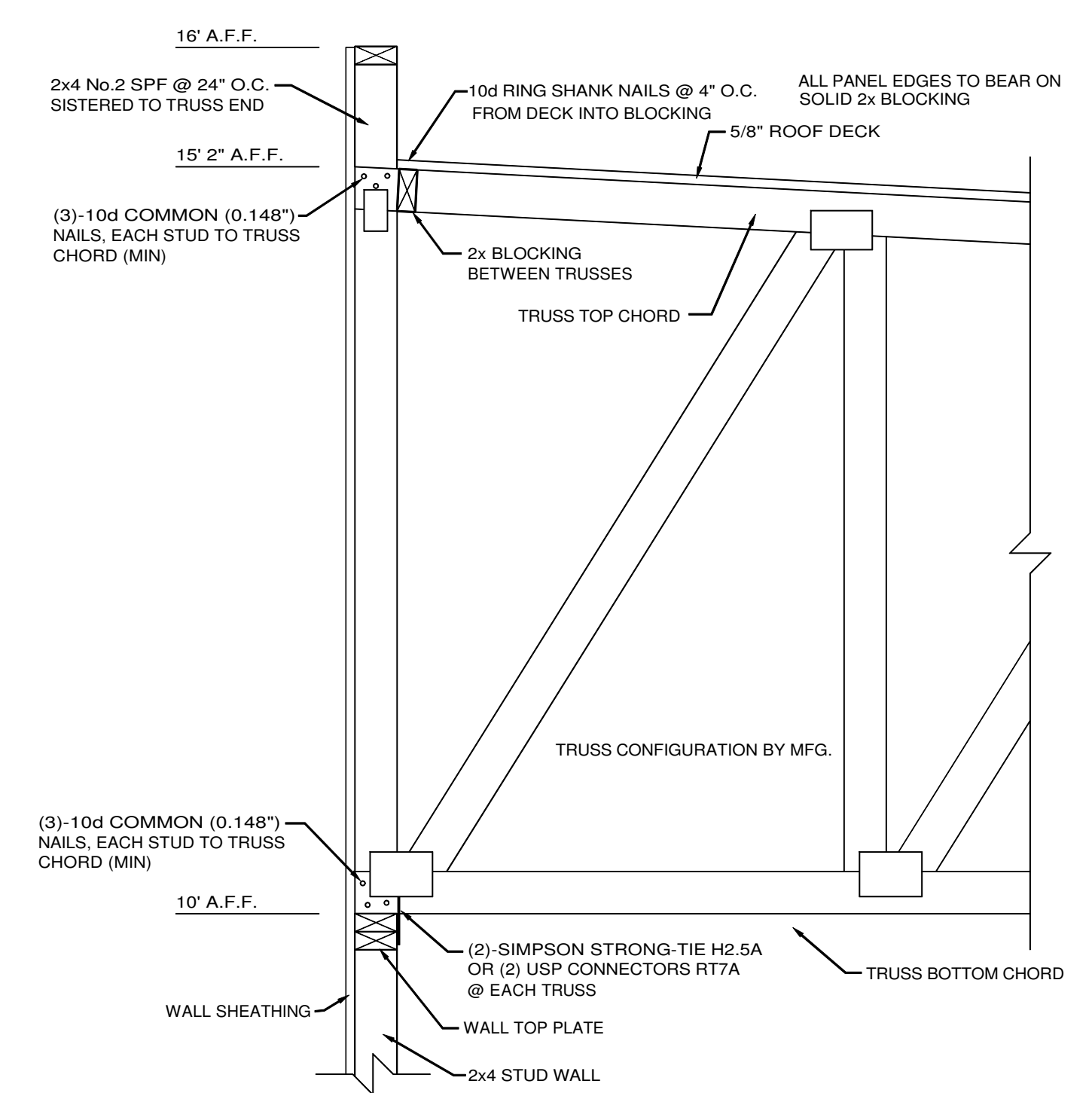


12 WOOD SHEATHED SHEARWALL GENERAL CONFIGURATION DETAIL
SCALE 1/4"=1'

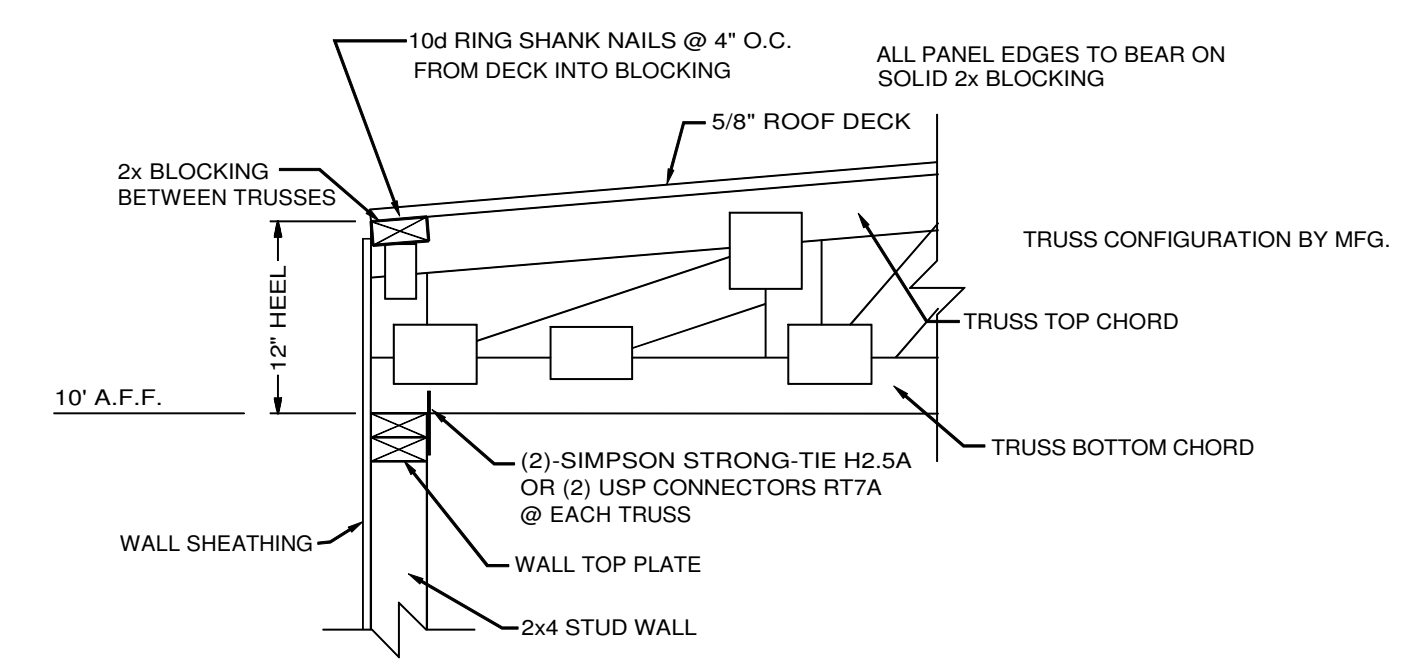
NOTE:
AT WALL ENDS, WALL INTERSECTIONS, AND OTHER POINTS OF CONFLICT, HOLDOWNS MAY BE INSTALLED ON THE INSIDE FACE OF SHEARWALL BOUNDARY CHORD MEMBER.



13 TRUSS BEARING AT STEEL BEAM
SCALE 1-1/2"=1'



14 ROOF FRAMING AT LOW ROOF
SCALE 1"=1'



15 ROOF FRAMING AT LOW ROOF
SCALE 1"=1'